

## FDCIO181-1 Input/Output Module Product Manual

### Characteristic

- Microprocessor-controlled signal evaluation
- Automatic address setting, without encoder settings or DIP switch
- 1 monitored input, 1 monitored output
- LED display of input and output status
- Input lines monitored for open line or short/open circuit
- Prevention of noise interference through intelligent analysis of input signals
- Output lines monitored for open line or short/open circuit (when potential output not activated)
- Output monitoring configurable(on/off)
- Control output for equipment 24 VDC, max. 2 A
- Communication with controller via FD18-BUS(detector line)
- Directly used in dry areas. Applicable in dusty and humid areas when installed in FDCH221 housing
- “Sticker Method” easy for commissioning

### Application

#### Input

With the input a status can be monitored, the input can be configured by controller or configuration tools as follows:

- “Status“ input or “Alarm“ input
- Lead monitoring for open line or open line and short circuit
- When inputting status, according to different status of contact, can be set as follows:
  - Normal mode: normally open NO input
  - Inverted mode: normally closed NC input

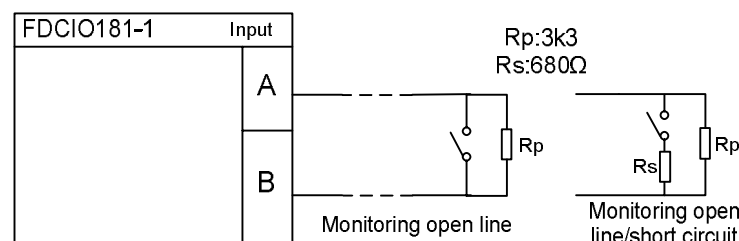


Fig. 1 connection diagram of dry contact input

## Status" inputs and alarm" inputs

"Alarm" inputs trigger an alarm as soon as the input is activated. "Status" inputs trigger a monitoring status change as soon as they are activated.

## Line monitoring and circuitry

The input lines are monitored for open line or open line and short circuit. To make these possible, resistors must be properly connected to the end of lines of the input (Fig. 1). When an open line or a short circuit occurs on one of the input lines, a fault message is transmitted to the control panel. The input must be potential-free.

## Output

### External power output (Default)

#### Normal operation (output lines monitored)

- Be used for controlling (e.g. operating a horn/strobe).
- The module switches the externally supplied 24 VDC voltage in active status on the output.
- In inactive status the output line is monitored for open line and short circuit (Fig. 3).
- The jumper on the input/output module must be plugged onto J2 (Fig. 2)

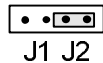


Fig.2 Input/output module jumper position J2

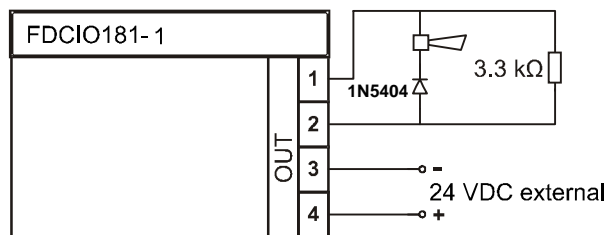


Fig.3 Connection for normal operation with output line monitored for short circuit and open line

#### Configuration

The following configurations are possible through controller or configuration tool:

- After activating the output remains:
  - Steady output
  - Pulse output: How long the contact remains active can be configured by controller or configuration tools (pulse duration).
- Failsafe behavior when the FD18-BUS detector line is current-free or in degraded mode. The error behavior defines the position of the output in case of an error:
  - Off: Output remains in the same position as before the error
  - Activation: Output is activated in case of an error
  - Deactivation: Output is deactivated in case of an error

The controller does not monitor external equipment status (activated/inactivated).

#### Inverted operation (output lines not monitored)

- Be used for controlling (e.g. closing a door).
- The module switches the externally supplied 24 V DC voltage in active status on the output.
- In normal status there is no monitoring for open line and short circuit.
- The jumper on the input/output module must be plugged onto J2 (Fig. 4).

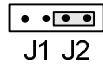


Fig. 4 Input/output module jumper position J2

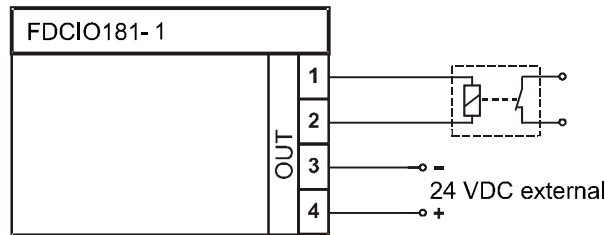


Fig. 5 Connection diagram for inverted operation, e.g. when used as door retainer.

In inactive status the 24 V DC are permanently applied to the output and may keep a door open, for example. When the output is switched to active, the output goes into "open" status (= no 24 V DC voltage) and the door is closed.

Comment:

In this example, the door would also close if the 24 VDC supply were to fail, e.g. due to a line problem (short circuit, open line).

### Configuration

Under inverted mode, the following configurations are possible through controller or configuration tools :

- After activating the output remains:
  - Steady output
  - Pulse output: How long the contact remains active can be configured by controller or configuration tools (pulse duration).
- Failsafe behavior when the FD18-BUS detector line is current-free or in degraded mode. The error behavior defines the position of the output through controller or configuration tools in case of an error :
  - Off: Output remains in the same position as before the error
  - Activation: Output is activated in case of an error
  - Deactivation: Output is deactivated in case of an error

The controller does not monitor external equipment status (activated/inactivated).

## Dry contact output

### Potential-free contact (Output not monitored)

- Be used for controlling (e.g. closing a door).
- Output control is not monitored.
- An externally supplied 24 V DC voltage is not needed.
- The jumper on the input/output module must be plugged onto J1 (Fig. 6).

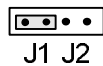


Fig.6 Input/output module jumper position J1

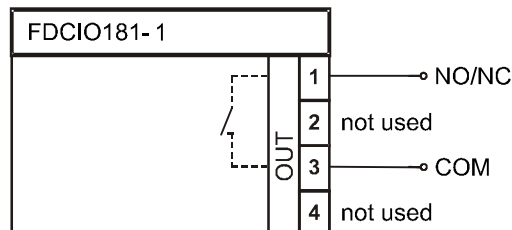


Fig. 7 Connection diagram for potential-free contact output

## Configuration

The following configurations are possible by controller or configuration tools :

- The contact is active, when:
  - Normal mode: normally open NO closes
  - Inverted mode: normally closed NC opens
- After activating the output remains:
  - Steady output
  - Pulse output: How long the contact remains active can be configured by controller or configuration tools (pulse duration).
- Failsafe behavior when the FD18-BUS detector line is current-free or in degraded mode. The error behavior defines the position of the output through controller or configuration tools in case of an error:
  - Off: Output remains in the same position as before the error
  - Activation: Output is activated in case of an error
  - Deactivation: Output is deactivated in case of an error

The controller does not monitor external equipment status (activated/inactivated).

## Structure

The module consists of the module carrier, the printed circuit board, the cover and the protection cover. The printed circuit board includes the LEDs. The LEDs indicate the states of the inputs/outputs. The cover of the printed circuit board is transparent, so that the state of the LEDs is visible even when the housing is closed.

To protect the modules from environmental influences, housing FDCH221 is optional.

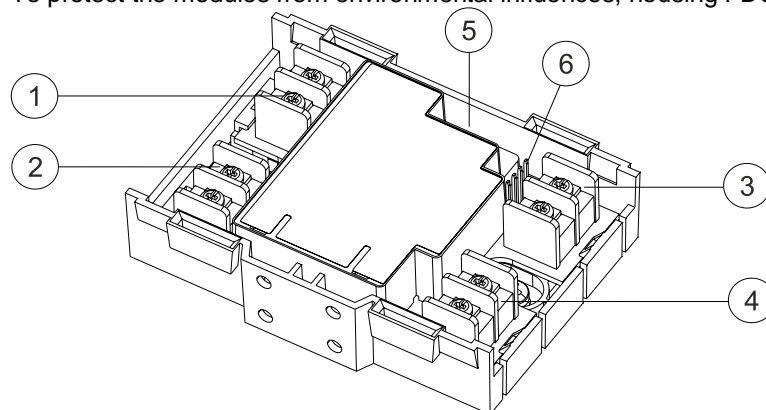




Fig.8 Overview

### Legend

- |                   |                  |
|-------------------|------------------|
| 1. Input          | 5. LED indicator |
| 2. Detection line | 6. Jumper        |
| 3./4. Output      |                  |

## Jumper

Jumper position	Signification
 J1 J2	Output is not monitored.
 J1 J2	Output is monitored.(factory default)



If the configurations on the control panel and jumper don't match, this is recognized and an error message is triggered.



Any other jumper position is not allowed.

## LED indicator

For each input/output, one red LED indicates the status.

LED	Signification
Off	Normal operation, in/output is monitored.
Flashes every 1 s, 250ms on	Input/output activated
Input LED flashes every 1s, 2...5ms on	Localization mode

## Installation

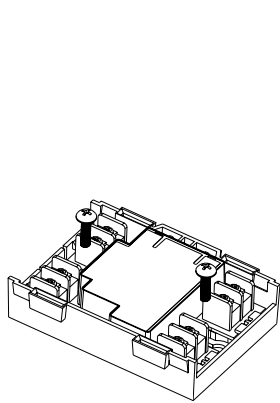


Fig. 9

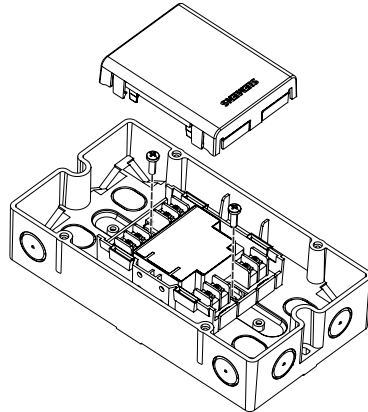


Fig. 10

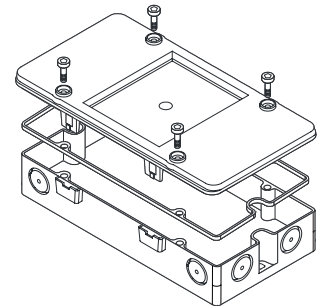


Fig. 11

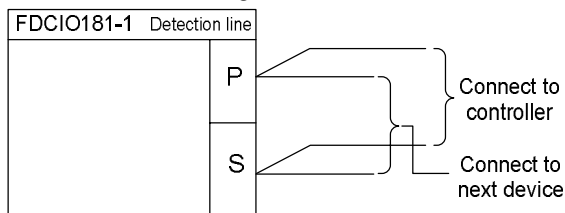


Fig. 12 Detection line connection

### Preparation

#### 1. Determine type of installation:

- Installation outside a switching cabinet or a control unit: use FDCH221 housing (Fig. 10) .
- Installation directly in a switching cabinet or a control unit: mount the module on an even surface (Fig. 9).



#### Damage by water!

In humid or wet environments always use FDCH221 housing!

### Mounting FDCH221 housing

1. Open the housing.
2. Determine the position of the cable entries in the housing and break them out.
3. Mount the housing on an even surface with two screws (Fig. 10). Distance between holes:  $182.0 \pm 1.0$ mm.
4. Insert the cables and fix the cables in the housing.
5. Insert the seal and fix the lid additionally with four screws (Fig. 11) (only this way is IP65 protection guaranteed).



The housing lid is transparent. Consider a suitable installation position to make sure that the LEDs of the module are visible at any time.

### Procedure with installation in the housing



#### CAUTION

Overheating of the input/output module!

1. Open the housing.
2. Place the module in the housing and fix it with two screws (Fig. 9/10).
3. Close the housing.

### Procedure with installation on an even surface

1. Place the module on an even surface.
2. Fix the module with two screws (M4 X15) (Fig. 9). Distance between holes:  $63.5 \pm 1.0$ mm

### Electric connection

1. Referring to Fig. 1,3,5,7,12 connect the cables to the corresponding terminals.
2. Connect resistor/ diode .The resistors must be connected at the end of the monitored line.
3. Fix the cables to the module

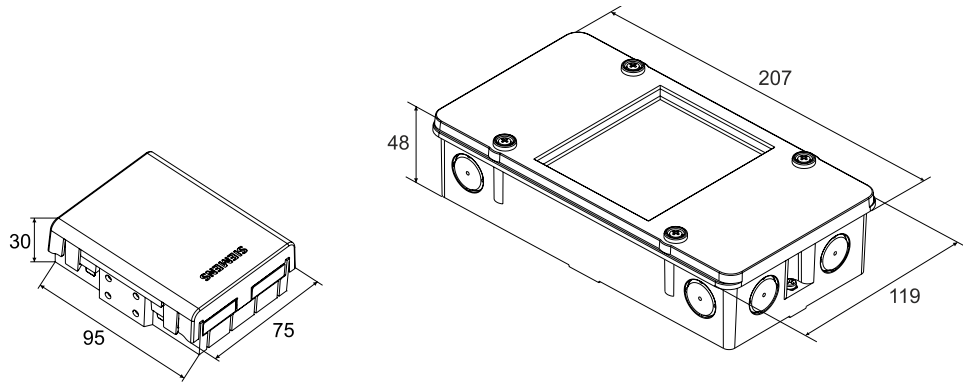


#### CAUTION

Mind the positive and negative polar when connecting the diodes.

## Dimension

In:mm



## Specification

Operating voltage	12 ... 32 VDC
Operating current (quiescent)	0.31 mA
Activation current	0.51 mA
Output	
- Capacity	2 A @ 24 VDC
- Monitoring resistor	3.3k $\Omega$ (1/4w)
- Diode	1N5404
Input	
- Monitoring resistor	3.3k $\Omega$ / 680 $\Omega$
Operating temperature	0 ... +42 °C
Storage temperature	-20 ... +75 °C
Humidity	$\leq$ 95 % rel.
Communication protocol	FD18-BUS
Load factors	3
Connection terminals	1.0 ... 1.5 mm <sup>2</sup>
Color	
- Housing	white, RAL 9010
- Cover	transparent
Protection category EN60529/IEC529/GB4208-93	
- With FDCH221 housing	IP65

## Details for ordering

Type	Material No.	Part No.	Designation	Weight
FDCIO181-1	S54322-F8-A1	101451422	Input/output module	0.093 Kg
FDCH221	S54312-F3-A1	100686595	Housing (IP65)	0.250 Kg

Beijing Siemens Cerberus Electronics Limited  
 No.1,Fengzhidonglu, Xibeiwang, HaiDian District,  
 Beijing, 100094, China  
 Tel: +10 6476 8806  
 Fax: +10 6476 8899

© Data and design subject to change without notice.