

Sinteso™/ Cerberus™ PRO/ Cerberus™ FIT

Input module, input/output modules

FDCI222, FDCIO222, FDCIO224



Input module and input/output modules for the automatically addressed detector line FDnet/C-NET

- Input module FDCI222:
 - Four monitored contact inputs for confirming technical statuses or activating an alarm
- Input/output module FDCIO222:
 - Four control outputs with potential-free relay contacts for activation of fire doors, fans, air conditioning systems, lift controls, etc.
 - Four monitored contact inputs for confirming technical statuses or activating an alarm
- Input/output module FDCIO224:
 - Four control outputs with potential-free relay contacts for the VdS interface in order to activate an extinguisher triggering device
 - Four monitorable contact inputs for confirmation (status messages)
- LED indicator for input/output statuses and for fault, test, localization
- Power supply and communication via FDnet/C-NET (addressed individually)
- Address automatically issued during commissioning
- Two-wire installation for all cable types

Features

- Transparent housing, ensuring that indicators are easy to see
- Protected electronics
- Integrated line separator
- Chronological status monitoring
- Supply via FDnet/C-NET, auxiliary supply only required if the output is configured as monitored (FDCIO222 and FDCIO224)
- Easy mounting using snap fastener
- Microprocessor-controlled signal processing
- Different mounting options
- For dry areas
- Use additional housing FDCH221 for dusty and humid environments

Eco-friendly

- Environmentally friendly processing
- Reusable materials
- Electronic parts and synthetic materials can be easily separated

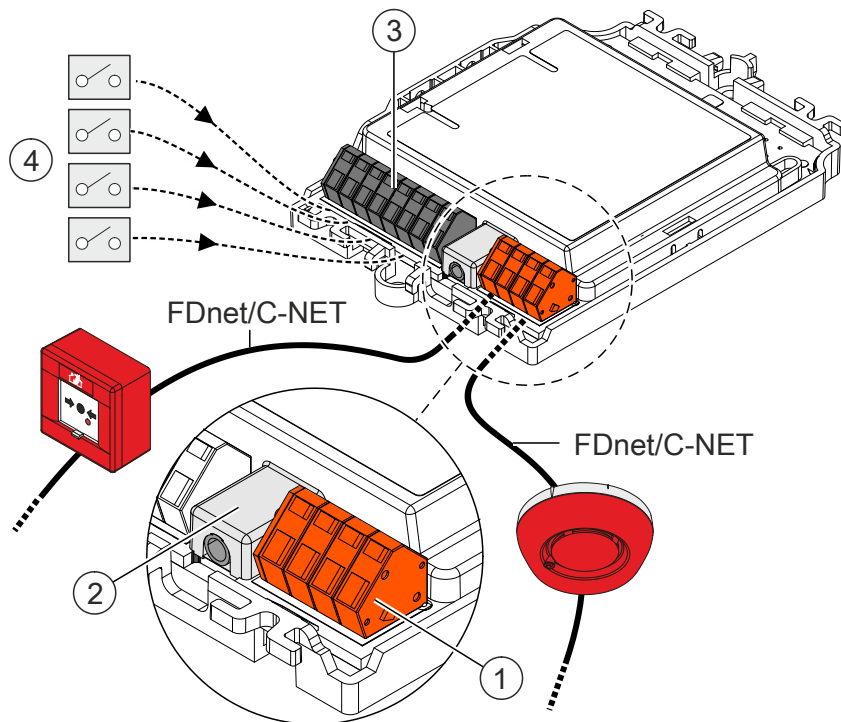
Functions

FDCI222 input module

- Four inputs for potential-free detector contacts
- Monitoring the input lines for open line and short-circuit with terminating resistors
- Inputs can be configured independently for status or alarm messages using the fire control panel

Fields of application:

To activate four independent, potential-free, normally open or normally closed contacts in order to report technical statuses (e.g., door or fan control) or to activate an alarm (e.g., sprinkler alarm)



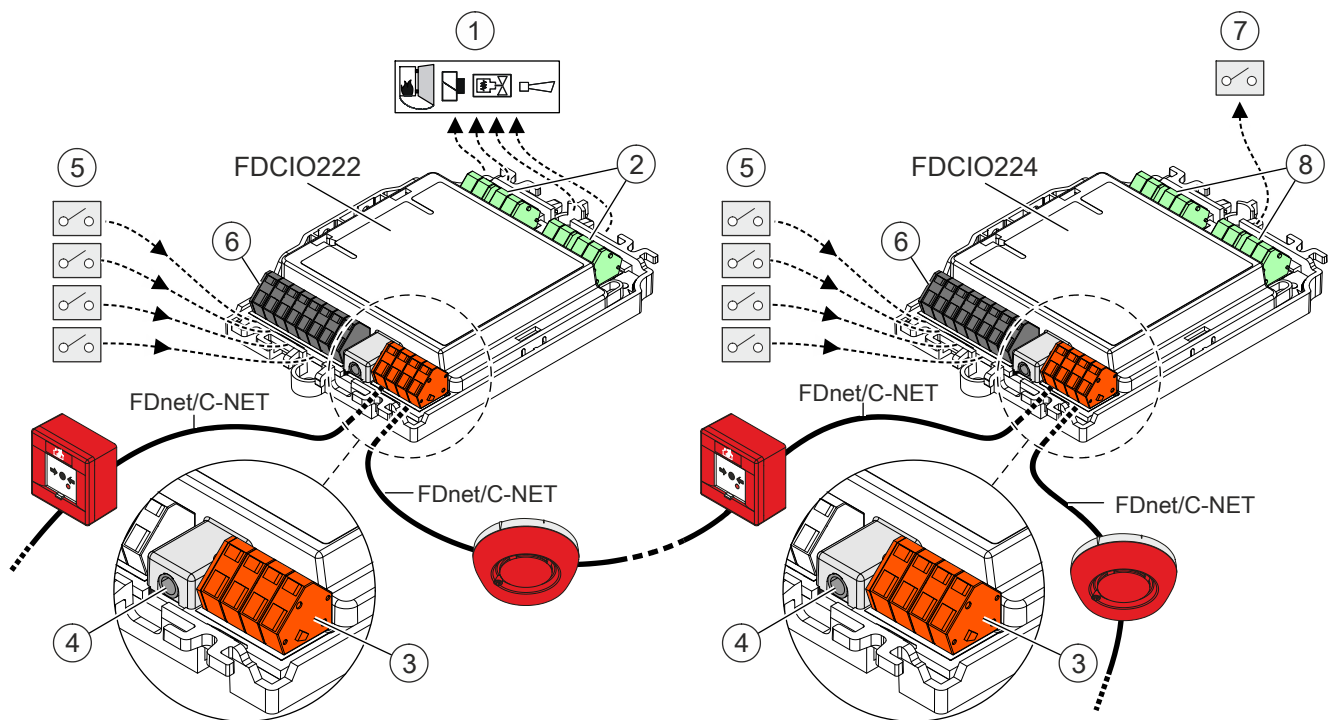
- 1 Connections for FDnet/C-NET detector line
- 3 Four contact inputs

FDCIO222, FDCIO224 input/output modules

- Four inputs for potential-free detector contacts
- Monitoring the input lines for open line and short-circuit with terminating resistors
- Inputs can be configured independently for status or alarm messages using the fire control panel
- Four outputs with potential-free relay contacts (AC 230 V / 4 A) for fire controls (FDCIO222) and for the VdS interface in order to activate an extinguisher triggering device (FDCIO224)

Fields of application:

- FDCIO222: To activate four independent, potential-free, normally open or normally closed contacts in order to report technical statuses (e.g., door or fan control) or to activate an alarm (e.g., sprinkler alarm)
- For decentralized activation of fire doors, fans and air conditioning systems
- FDCIO224: For the VdS interface in order to activate an extinguisher triggering device



1 Fire controls

2 Four relay outputs AC 230 V / 4 A

3 Connections for FDnet/C-NET detector line

4 3.5 mm MC link jack socket

5 Potential-free detector contacts

6 Four contact inputs

7 VdS interface for extinguishing controls

8 Four relay outputs AC 230 V / 4 A

Type Overview

Type	Designation	Order no.	Weight [kg]
FDCI222	Input module incl. 8 resistors, 2 mounting feet	A5Q00001984	0.098
FDCIO222	Input/output module incl. 8 resistors, 2 mounting feet	A5Q00002369	0.127
FDCIO224	Input/output module incl. 8 resistors, 2 mounting feet, for VdS interface	A5Q00018689	0.127

Accessories for input module FDCI222, input/output modules FDCIO222, FDCIO224

Type	Designation	Order no.	Weight [kg]
FDCH221	Housing with cover, seal, and screws	S54312-F3-A1	0.282
–	Metal cable gland M20 x 1.5	A5Q00004478	0.036
–	M20 metal counter nut	A5Q00004479	0.006
DBZ1190-AB	0.5...2.5 mm ² (3-pin) connection terminal	BPZ:4942340001	0.001
TS35 (L = 122 mm) TS35 (L = 288 mm)	U-rail TS35/7.5/122 U-rail TS35/7.5/288	BPZ:5644780001 BPZ:5644230001	0.041 0.098

Replacement material for input module FDCI222, input/output modules FDCIO222, FDCIO224

Type	Designation	Order no.	Weight [kg]
FDCM291	Mounting foot	A5Q00003855	0.001

Product documentation

Document ID	Name
008164	Equipment overview Sinteso™ Detector system FD20
008331	List of compatibility (for 'Sinteso™' product line)
A6V10229261	List of compatibility (for 'Cerberus™ PRO' product line)
A6V10882301	List of compatibility (for 'FC360' product line)
007023	Technical manual Input module FDCI222, input/output module FDCIO222, FDCIO224
008176	Installation Input/output module FDCIO222, FDCIO224, Housing FDCH221

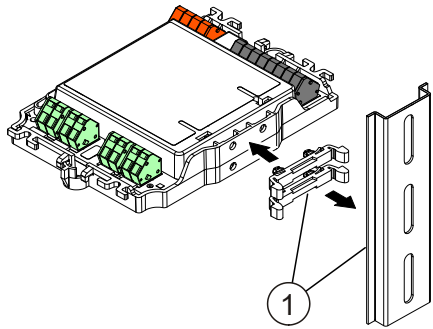
Related documents such as environmental declarations, CE declarations, etc., can be downloaded at the following Internet address:

<http://siemens.com/bt/download>

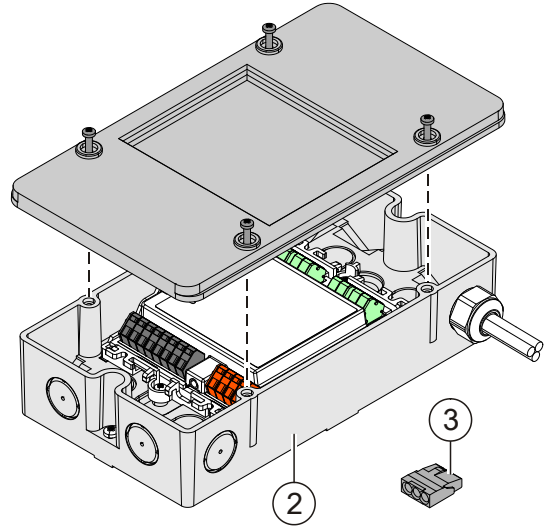
Mounting

Mounting options

- Mounting (series mounting) in a fire control panel on a U-rail TS35
- In housing FDCH221 (accessory) with cover, seal, and screws



- 1 Series mounting using mounting feet supplied, on U-rail TS35
- 2 Mounting in separate housing FDCH221 (accessory)



- 3 Use auxiliary terminals DBZ1190-AB (accessory) for shielded cables

Disposal



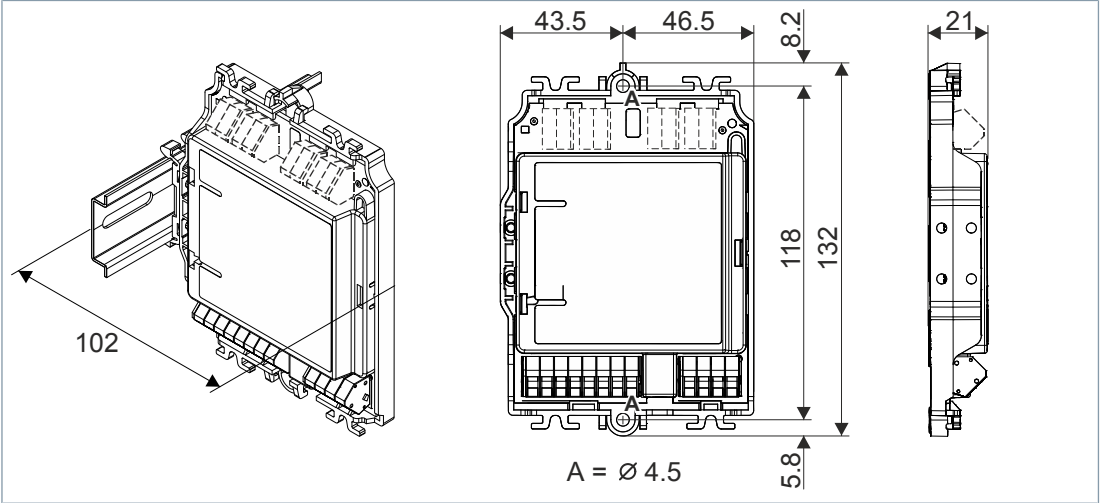
The device is considered an electronic device for disposal in accordance with European Directive and may not be disposed of as domestic waste.

- Use only designated channels for disposing the devices.
- Comply with all local and currently applicable laws and regulations.

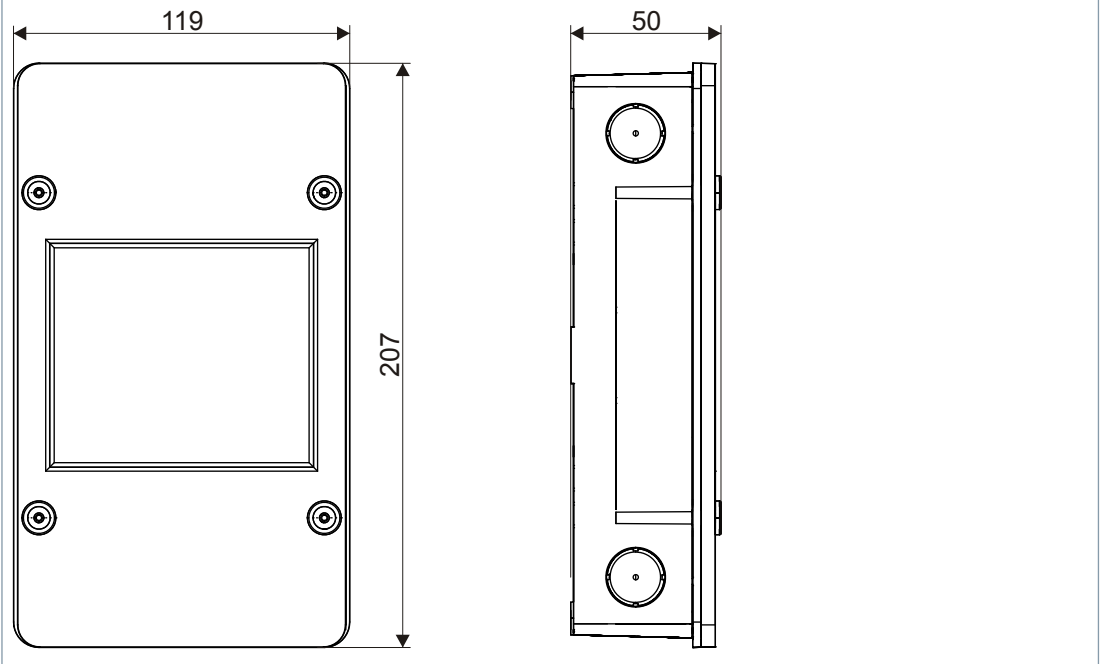
Technical data

	FDCI222	FDCIO222/FDCIO224	
Operating voltage	DC 12...33 V		
Operating current (quiescent)	Max. 0.35 mA	Max. 0.75 mA	
Relay output	—	AC 250 V / 4 A, max. 1000 VA DC 30 V / 4 A, max. 120 W	
Operating temperature	-25...+60 °C		
Storage temperature	-30...+65 °C		
Air humidity, non-condensing	≤95 % rel.		
Communication protocol	FDnet/C-NET		
Connections:			
<ul style="list-style-type: none"> Pluggable connection terminals 	0.2...1.5 mm ² (with 2.5 mm ² connection terminal DBZ1190-AB)		
<ul style="list-style-type: none"> MC link 	Plug connection 3.5 mm jack socket		
Color			
<ul style="list-style-type: none"> Housing Cover Housing FDCH221 	~RAL 9010, pure white Transparent matt ~RAL 9010, pure white		
Protection category (IEC 60529)			
<ul style="list-style-type: none"> When mounted on a U-rail in a fire control panel With housing FDCH221 	IP30 IP65		
Standards	EN 54-17, EN 54-18		
Approvals		FDCIO222	FDCIO224
<ul style="list-style-type: none"> VdS LPCB FM 	G204028 531m/01 3029351	G204029 531m/02 3029351	G207001 — 3029351
<ul style="list-style-type: none"> DNV GL (marine) 	MEDB00003UU	MEDB00003 UU	MEDB00003 UU
System compatibility			
<ul style="list-style-type: none"> FDnet C-NET 	FS20, AlgoRex, SIGMASYS FS720, FC360		

Input module FDCI222
Input/output module FDCIO222, FDCIO224



Housing FDCH221



Issued by
Siemens Switzerland Ltd
Smart Infrastructure
Global Headquarters
Theilerstrasse 1a
CH-6300 Zug
+41 58 724 2424
www.siemens.com/buildingtechnologies

© Siemens Switzerland Ltd, 2014
Technical specifications and availability subject to change without notice.

Document ID 007024_p_en_--
Edition 2023-02-23