



## Smart Information Delivery

### FDCI723 Zone module, external powered Data Sheet

September 9, 2024

**The content of this printout might not include all relevant safety information and all applicable contract terms. Always read all safety information from the publication carefully before use or extraction of its information, as safety information may be pertinent to, but not accessible in, redactions of the complete publication. Users solely bear the associated risk of use.**

"© Siemens 2023. All rights reserved."

# 1 | Title Page



## Zone module, external powered, addressed for detector line C-NET.

- 1 detector line (collective or conventional 110-series, DS11, SynoLINE300/600)
- Electrical isolation between C-NET and collective/conventional detector line
- LED indicator showing status of detector line: fault, test, etc.
- Two-wire installation for all cable types
- DC 24 V external power supply
- Microprocessor-controlled signal processing
- Communication via C-NET (addressed individually)
- Can be used in dry, dusty, and damp areas
- Different mounting options



## 2 | Properties

### Eco-friendly

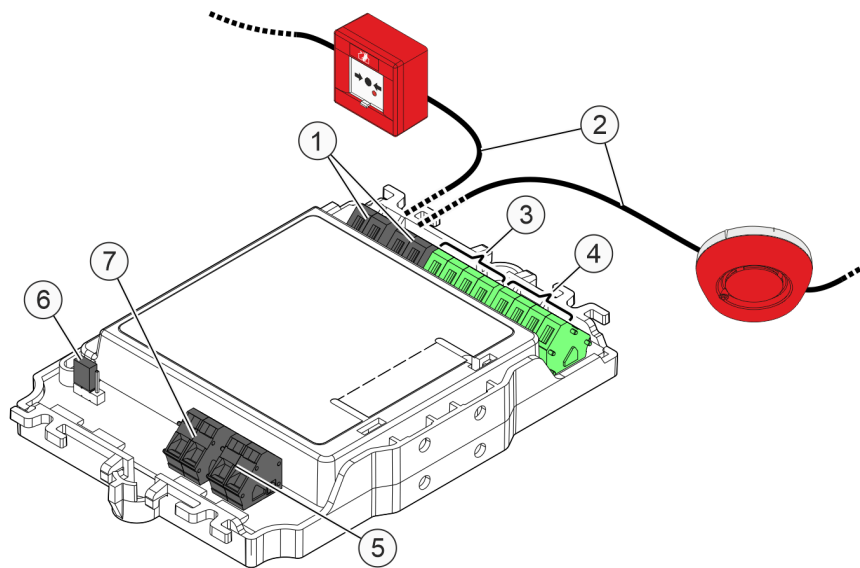
- Environmentally friendly processing
- Reusable materials
- Electronic parts and synthetic materials can be easily separated

### Features

- Transparent housing, ensuring that LED indicators are easy to see
- Protected electronics
- Integrated line separator
- Easy mounting using snap fastener
- Can be used in dry areas
- Housing FDCH221 can be used in dusty and humid environments.

### 3 | Use

For connecting to collective or conventional fire detectors (with safety barrier SB3 for areas at risk of explosion).



1	Connections for the C-NET detector line (4 terminals)	5	Connection for 1 collective/conventional detector line with max. 32 detectors (2 terminals)
2	C-NET detector line	6	Jumper for activating/deactivating ground fault monitoring
3	Shield for C-NET/24 V supply (4 terminals)	7	Shield for collective/conventional detector line (2 terminals)
4	DC 24 V external supply (4 terminals)		

#### NOTICE

**!** Country-specific safety regulations

Failure to follow country-specific safety regulations may cause personal injury and damage.

1. Observe country-specific regulations and adhere to the relevant security guidelines.

## 4 | Functions

The detector line parameters can be set as follows:

- Collective detector line 110-series, DS11, SynoLINE600
- or
- Conventional detector line SynoLINE300
- or
- Collective detector line DS11, Ex with safety barrier SB3

Detector line monitoring for:

- Quiet, alarm, open line, short-circuit, fault, and ground fault

Status indicator by means of LED.

## 5 | Type Overview

Type	Designation	Order no.	Weight [kg]
FDCI723	Zone module, external powered	S54322-F6-A1	0.106

## Accessories

Type	Designation	Order no.	Weight [kg]
FDCH221	Housing with cover, seal, and screws	S54312-F3-A1	0.282
–	Metal cable gland M20 x 1.5	A5Q00004478	0.036
–	M20 metal counter nut	A5Q00004479	0.006
FDCM291	Mounting foot	A5Q00003855	0.001
DBZ1190-AB	0.5...2.5 mm <sup>2</sup> (3-pin) connection terminal	BPZ:4942340001	0.001

## 6 | Product documentation

Document ID	Name
A6V10229261	List of compatibility (for 'Cerberus™ PRO' product line)
A6V10882301	List of compatibility (for 'FC360' product line)
A6V10414910	Technical manual Zone module, external powered FDCI723
001204	Principles, applications, installation, maintenance Fire alarm signal in areas at risk of explosion

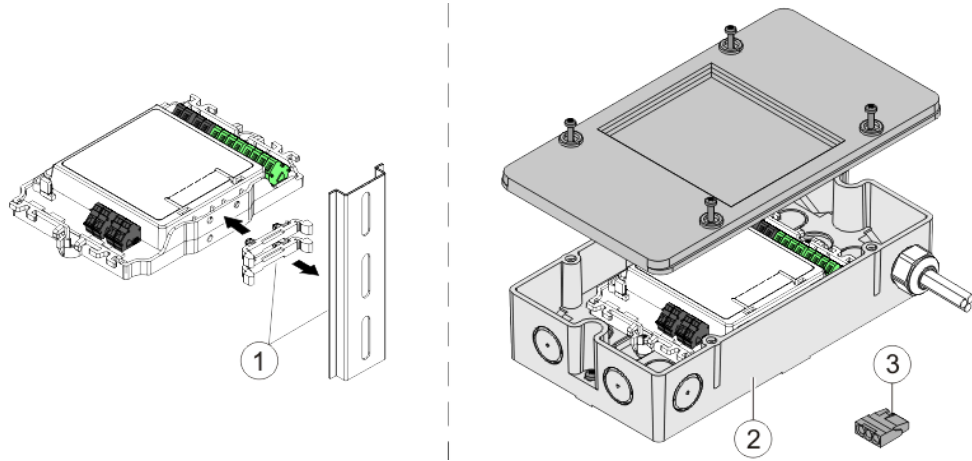
Related documents such as the environmental declarations, CE declarations, etc., can be downloaded from the following Internet address:

[www.siemens.com/bt/download](http://www.siemens.com/bt/download)

## 7 | Notes


### 7.1 | Mounting

- Mounting on U-rail TS35 (series mounting)
- In housing FDCH221 with cover, seal, and screws



1	Series mounting using mounting feet supplied, on U-rail TS35
2	Mounting in separate housing FDCH221 (accessory)
3	Use auxiliary terminals DBZ1190-AB (accessory) for shielded cables

### 7.2 | Disposal

	<p>The device is considered an electronic device for disposal in accordance with European Directive and may not be disposed of as domestic waste.</p> <ul style="list-style-type: none"> <li>• Use only designated channels for disposing the devices.</li> <li>• Comply with all local and currently applicable laws and regulations.</li> </ul>
---	---

## 8 | Technical data

	<b>FDCI723</b>
C-NET operating voltage	DC 12...33 V
External power supply <ul style="list-style-type: none"> <li>Operating voltage</li> </ul>	Tested to EN 54-4 DC 18...32 V
Collective detector line <ul style="list-style-type: none"> <li>Collective line code (KLK)</li> <li>End-of-line (EOL)</li> </ul>	32 20 V voltage reference diode or EOL22 (Ex)
Operating temperature	-20...+55 °C
Storage temperature	-30...+70 °C
Air humidity, non-condensing	≤95 % rel.
Communication protocol	C-NET
Pluggable connection terminals	0.2...1.5 mm <sup>2</sup>
Color <ul style="list-style-type: none"> <li>Input/output module rack, back box</li> <li>Cover cap, housing cover</li> </ul>	~RAL 9010, pure white Transparent matt
EN 60529 / IEC 60529 protection category <ul style="list-style-type: none"> <li>Without housing</li> <li>With housing FDCH221</li> </ul>	IP30 IP65
Standards	EN 54-17, EN 54-18
Approvals <ul style="list-style-type: none"> <li>VdS</li> <li>LPCB</li> </ul>	G215004 -
System compatibility <ul style="list-style-type: none"> <li>C-NET</li> </ul>	FS720, FC360

## 9 | Dimensional drawings

